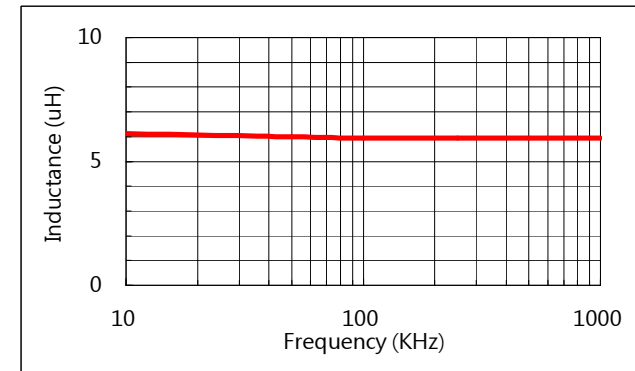
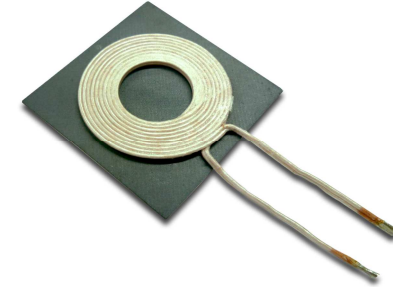
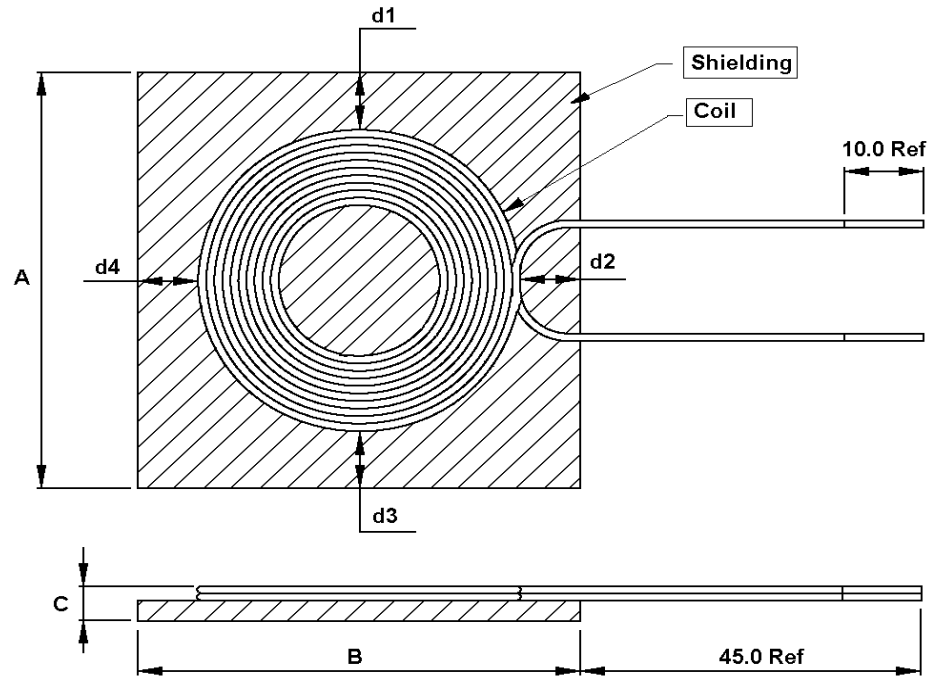


# Power Transmitter - TX11S (WPC V1.1 design A11 : 5V / 110-205KHz)



Dimension :

unit	mm
A	53.0 +- 1.0
B	53.0 +- 1.0
C	3.8 max
d1~d4	2.0 min

Electronic Characteristics :

L	6.1uH +- 10%
DCR	20 mΩ ref
Test Instruments :	Microtest 6377
Test Conditions :	100KHz / 1.0V / 0A



**CROWN FERRITE ENTERPRISE CO.**

<http://www.cfe.com.tw> e-mail : [crownco@cfec.com.tw](mailto:crownco@cfec.com.tw)