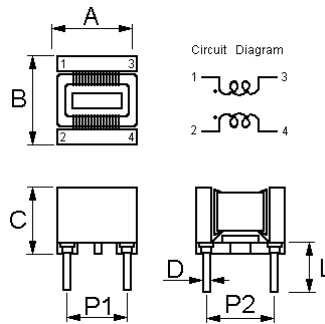


Common Mode EMI Data Line Filter (STIB4 Series)



Unit : mm

- A : 7.5 MAX
- B : 10.5 MAX
- C : 8.0 MAX
- D : 0.6
- L : 4.6 +- 1.0
- P1 : 5.0 +- 0.5
- P2 : 7.5 +- 0.5

Description :

STIB4 Series is a common mode EMI data line filter, a ferrite core wound by copper wire and fixed on a dip type bobbin. It's often used for signal filter to suppress noise because it's high impedance and large rated current.

Part Number	Rated Current (MAX)	Typical Impedance (ohm)		DC Resistance (m-ohm MAX)	Operating Temperature (°C)
		25MHz	100MHz		
STIB4-1.5A	1.5 A	1820	900	60	-25 ~ +70
STIB4-2.0A	2.0 A	1220	900	40	-25 ~ +75
STIB4-2.5A	2.5 A	780	840	30	-25 ~ +80
STIB4-3.0A	3.0 A	600	760	20	-25 ~ +85
STIB4-3.5A	3.5 A	440	655	15	-25 ~ +90

