

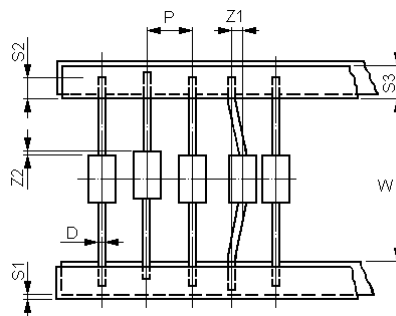
Wire Through Ferrite Bead (WRH Series)

Description :

WRH Series (Wire Through Ferrite Bead) is a economical differential mode EMI data line filter. It consists of a copper wire through one or two pieces ferrite beads and can be used in automated insertion line. It's often used for power circuit to prevent high frequency noise or withstand high peak current, ex : power supplier, resonant circuit, SCR switch circuit, Class-C power amplifier.

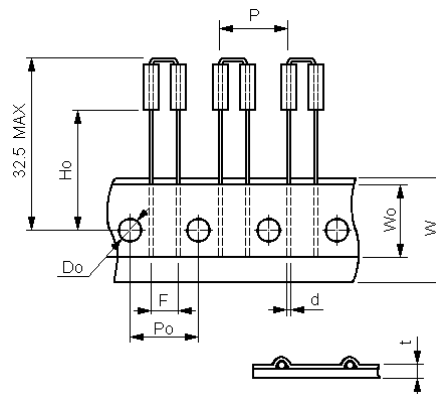


Type : PA



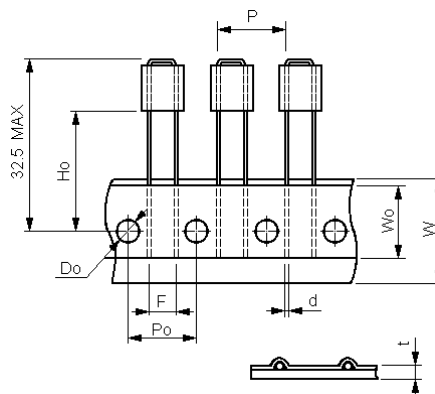
W :	52.0	+/- 2.0
D :	0.65	+/- 0.05
P :	5.0	+/- 0.5
Z1 :	1.2	+/- Max
Z2 :	1.0	+/- Max
S1 :	0.8	+/- Max
S2 :	3.2	+/- Min
S3 :	6.0	+/- 1.0

Type : P2T



P :	12.7	+/- 1.0
Po :	12.7	+/- 1.0
d :	0.62	+/- 0.05
F :	5.0	+/- 0.8
Do :	4.0	+/- 0.5
Ho :	18.5	+/- 1.0
W :	18.0	+/- 1.0
Wo :	12.5	+/- 1.0
t :	0.6	+/- 0.3

Type : PO



P :	12.7	+/- 1.0
Po :	12.7	+/- 1.0
d :	0.62	+/- 0.05
F :	5.0	+/- 0.8
Do :	4.0	+/- 0.5
Ho :	18.5	+/- 1.0
W :	18.0	+/- 1.0
Wo :	12.5	+/- 1.0
t :	0.6	+/- 0.3

Wire Through Ferrite Bead (WRH Series)

Part Number	Core Dimension (mm)	Taping Type	Typical Impedance (ohm)		Rated Current (MAX)	DC Resistance (MAX)
			25MHz	100MHz		
WRH-2530-PA	2.5 x 3.0	PA	30	50	10A	5 m-ohm
WRH-2545-PA	2.5 x 4.5	PA	45	75	10A	5 m-ohm
WRH-3530-PA	3.5 x 3.0	PA	40	65	10A	5 m-ohm
WRH-3545-PA	3.5 x 4.5	PA	55	90	10A	5 m-ohm
WRH-3560-PA	3.5 x 6.0	PA	75	120	10A	5 m-ohm
WRH-3590-PA	3.5 x 9.0	PA	85	125	10A	5 m-ohm
WRH-3545-P2T	3.5 x 4.5	P2T	85	145	10A	5 m-ohm
WRH-3560-P2T	3.5 x 6.0	P2T	110	190	10A	5 m-ohm
WRH-3590-P2T	3.5 x 9.0	P2T	155	240	10A	5 m-ohm
WRH-2255-PO	2.2 x 7.5x 5.5	PO	105	150	10A	5 m-ohm

